



Eleganza 1

The most effective investment



Eleganza 1

the most effective investment



ELEGANZA

Eleganza 1 bed with split plastic collapsible siderail + Bedside cabinet Eleganza Classic.



With full electrical adjustment, the Eleganza 1 bed is designed for the standard hospital ward. The bed has a simple construction, a wide range of features and functions and at a low cost, the Eleganza 1 provides customers with great value for money. As a result, this bed makes the above-standard features and sophisticated functions available to a large group of customers.

Excellent price-performance ratio

Highest level of safety

- Full compliance with EN 60601-2-52
- Above standard of safety Safe plus Concept

PROTECTOR
Safe Plus Concept

EXTENDER
Safe Plus Concept

BRAKE-ALARM
Safe Plus Concept

Above-standard functionalities

- SWL 250 kg
- Bed width < 100 cm
- Plastic mattress platform 90 cm
- Ergoframe 16 cm

Above-standard functionalities

will exceed your expectations

The bed can be equipped with a number of optional functions and useful versatile features and will meet the specific needs of every hospital department.

1. HORIZONTAL PROTECTIVE BUMPERS
2. PORTS FOR LIFTING AND IV POLES
3. 150 mm CENTRALLY CONTROLLED CASTORS
4. COLLAPSIBLE SIDERAILS
5. COLOUR EFFECTS (page 15)
6. BRAKE ALARM
7. HOLDER FOR MOBI-HANDLE OR PROTECTOR



8. COMFORTABLE FOR TALLER PATIENTS AS WELL
 | Bed length extended by 15 cm |
 Demographic trends clearly show that people are getting taller and that there is an increase in overweight people. To maintain comfort for everyone, the standard width of the mattress platform is 90 cm and features a 15 cm length extension.



9. USEFUL SPACE FOR BEDDING
 | Linen Shelf |
 The linen shelf is located in the space under the foot end. When changing the bed, the clean bed linen is always separate from the used bed linen. The shelf can be used to store the Supervisor control panel.



10. EASIER TRANSPORT | 5th castor |
 The activated 5th castor makes transferring through long corridors easier (used to maintain a straight direction). Creating a turning point in the middle of the bed, it allows for tight turns (when entering lifts, turning around a corner), also providing significant reduction in the force needed to turn the bed.



11. MORE SPACE FOR PATIENTS

| Ergoframe + 16 cm |

When re-positioning the backrest and thigh rest, the Ergoframe function minimises the pressure and shear in the patient's pelvic region. This results in a significant reduction in the development of pressure ulcers. The effect is achieved by the automatic widening of the mattress platform by 16 cm.



12. OPTIMUM SPACE FOR ACCESSORIES

| Accessory bar |

Painted bars are available in 500 or 740 mm lengths. The bars, equipped with 2 or 4 plastic hooks, are located on both sides of the bed. Many small accessories can be hung from them (urinal basket, urine bags, redon bottle holder, cannula holder, etc.).



13. EASIER MOBILISATION

| Mobi-handle |

The mattress platform is equipped with integrated holder for a Mobi-handle afterwards. You will always achieve the optimal support point for standing (the position from sitting on the bed to the standing position). Mobi-handle fit into the whole concept of independent mobilisation.



14. CPR

| 14a. Mechanical CPR |

CPR handle for the mechanical release of the back rest is placed in the leg part of a bed so it is easy to reach from all positions of the bed.

| 14b. Electric CPR |

Preset function on the main control panel – flattens mattress platform electrically to the lowest position.



15. REMOVABLE BED ENDS

| Bed end locks |

Bed ends can be fixed to the mattress platform frame with simple eccentric locks.

UP position with green symbol – UNLOCK (bed end can be removed)
DOWN position with red symbol – LOCK (bed end is fixed)

Designed for easy infection control

nosocomial infection prevention

PLASTIC MATTRESS PLATFORM

Assembly, dismantling and cleaning of the mattress platform is now much easier and more efficient due to the exceptional solution consisting of 8 self-contained removable plastic components. Similar to the bed ends and siderails, these components are made using the joint-free technology of injection moulding. With a low weight (each part weighs only 100 grams) and dimensions, this solution is very popular. A figure pictogram can be used for quick identification of the correct position of the bed component.

1. PATIENT PICTOGRAM
2. WEIGHT ONLY 700 GRAMS
3. JOINT-FREE CONSTRUCTION
4. 8 SELF-CONTAINED COMPONENTS



MINIMISATION OF SPACE FOR INFECTION



The latest technology is used during the manufacture of individual parts to minimise the space where unwanted infections may hide. In terms of easy cleaning, the bed is very safe and user friendly.

SIMPLE CONSTRUCTION



From the beginning, in order to achieve easy cleaning, the Eleganza 1 bed was designed to maximise the simplification of the structure to include the individual parts and surfaces.

ALL JOINTS COVERED



Cleaning of bolted joints is very complicated. All joints on Eleganza 1 are covered.

Safer bed

maximum safety for the patient and nurse guaranteed

There are a number of standards and guidelines aimed at enhancing medical bed safety. One of the main priorities of LINET products is the solution that all technical aspects focus on absolute safety. The Eleganza 1 bed meets all of the requirements of the latest standard IEC 60601-2-52 effective from 1st April 2013.

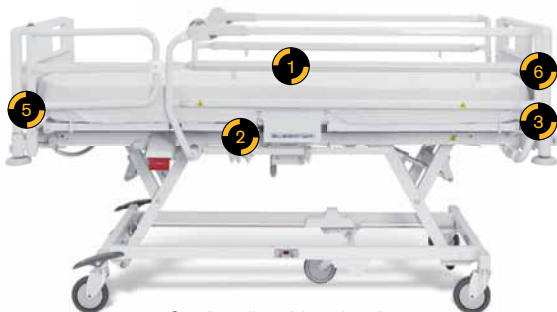


SAFE GAPS – all gaps of the Eleganza 1 bed are designed for higher safety:



Split plastic siderails

| | | |
|----------|---|---|
| 1 | Clearances within the siderail | ✓ |
| 2 | Area under the siderail, between the mattress platform and siderails | ✓ |
| 3 | Clearance in the corner (between siderail and head end and mattress platform) | ✓ |
| 4 | Clearance between divided siderails | ✓ |
| 5 | Clearance between a siderail and the foot board | ✓ |
| 6 | Clearance between a siderail and the head board | ✓ |



Single collapsible siderails

The safety of the bed has been acknowledged by TÜV, a most prestigious independent German company. They performed both single and long-term severe tests which confirmed the absolute safety and quality of the Eleganza 1 model and issued a certificate of the bed's compliance with the norm IEC 60601-2-52:2010.



BEST PROTECTION WITH ORIGINAL PROTECTOR

The use of Protector allows protection along the entire length of the mattress platform. The Protector is located in the foot part of the bed and is linked to the single collapsible siderail both in terms of dimensions and design. The use of Protector is suitable for clients who are diagnosed as confused or at high risk of a fall.



Sophisticated electric functions

GO BUTTON

The safety concept of the GO button protects the patient against an injury caused by any unintentional movement of the bed. Use the GO button to activate the bed control units for a period of 3 minutes from the last depression. When the bed is not deliberately repositioned, the controls are automatically deactivated, which makes any unintentional activation impossible.

Within our Safer Bed Concept, the GO button has been used for all LINET products since 2000.



CENTRAL CONTROL PANEL

The main central panel for the control and deactivation of the functions is located under the foot end and is integrated into the bed frame. This control unit contains the basic pre-set functions and the possibility of deactivating (locking) each function on the remote control unit.

SUPERVISOR CONTROL PANEL

Supervisor control panel has a coiled cable providing flexibility of movement and operation of the bed from an optimum position. For the nurse there is access to all of the standard functions + a useful pre-programmed function, the Cardiac Chair, available on the Supervisor control panel only. The Supervisor is an optional accessory and replaces the central control panel.



PATIENT SATELLITE

This control unit fixed on a flexible arm is always accessible and well within reach. It is designed particularly for elderly patients, so the symbols for controlling the functions are large and easily visible. The buttons are differentiated by contrasting colours and are of a raised design to suit patients with impaired vision or touch.





DESIGN FOR LONGER LIFE

LONGER BATTERY LIFE

Recharging of the battery is controlled in an optimum way, which results in a longer battery life by up to 2 years. The battery is always available and doesn't have to be activated.

ACTUATOR PROTECTION – REDUCES SERVICING COSTS

One of the most common breakdowns of hospital beds is caused by the bed getting stuck under an obstruction (a window sill, etc.) or by the bed being overloaded. The resulting repairs can be costly and time consuming. The Eleganza 1 bed has an independent current protection for each actuator which prevents damage to the actuator when overloaded. The protection is electronic and the bed will continue to work without any intervention once the overload is removed.

SERVICE PREDICTION – MINIMISING BREAKDOWNS

The concept of damage prevention is based on the intelligent control unit of the bed which predicts a potential breakdown based on the volume of load, wear and tear, recommending parts to be inspected or service action to be carried out before a breakdown can occur. Therefore, the bed is kept in operation and the breakdown rate is lower.

LEVEL MATTRESS PLATFORM GUARANTEED

If the load is not evenly distributed, it can result in the mattress platform leaning to one side or to one end, which is not pleasant for the patient. With the Actuator Synchronisation function, the mattress platform on the Eleganza 1 bed is always perfectly horizontal (with the exception of intentional tilting performed by the pre-set functions).



HAND SET

The ergonomic remote control unit allows the patient and nurse to control the basic positions of the bed. The control unit is equipped with an examination light. The backlit keyboard design would be of great assistance in the dark.



SIDERAIL WITH INTEGRATED CONTROL

Through extensive research it was found that controls located in the head siderails are more accessible, allowing the patient easier operation when adjusting the basic positions of the bed.



FOOT CONTROLS

The foot controls allow the practical and easy adjustment of the height and examination position. They are equipped with a mechanical protector against accidental activation.



PLUG & PLAY

In some cases, particularly when the patient is confused, it may be appropriate to remove the remote control unit. With the Plug and Play socket located on the accessory bar, the remote control unit can be easily removed.

Split plastic siderails

Siderails with the new system of lowering mechanism feature simple design, simple operation and a high level of safety whilst still being good value for money. The system of lowering is around the lower axis of the siderail. Low weight, perfect balance and a large unlocking handle ensures that only minimum force is needed to unlock the siderail. The safety of the siderail lowering function meets the EN 60601-2-52 requirements and is achieved by unlocking the system using two separate movements.

1. SIDERAIL WITH INTEGRATED CONTROLS

The head siderail can be provided with an integrated control unit easily available for the patient. An ideal length distribution between the head siderail and the longer middle siderail provides the patient with enough space for exiting the bed whilst at the same time providing a high level of safety.

2. SAFE SIDERAIL RELEASE MECHANISM

All siderails are equipped with two-steps unlocking mechanism.



Plastic siderails in a raised position.



Plastic siderails dropped down.



Low weight, perfect balance and a large unlocking handle ensure that only minimum force is needed to unlock a siderail. The safety of the siderail lowering function meets the EN 60601-2-52 requirements and is achieved by unlocking the system by two separate movements.

Single collapsible siderails

for independent mobilisation

The siderail drops down level with the mattress. To unlock and drop a siderail grasp the handle with one hand and move the whole siderail towards the patient's head. Secondly, press the unlocking button and lower the siderail smoothly to the drop-down position. After training the patient can drop down the siderail and perform daily activities without any help – the patient becomes more independent.



1 AN ANTI-SCRATCH PROTECTION STRIP located along the whole length of the central bar protects the siderail and bed against scratching during transport.

2 THE ACCESSORIES BAR is always fully accessible. The siderail in the drop-down position is only 23 cm high. Small accessories (slippers, urinals, urine bags, etc.) are therefore always easily accessible.

3 BETTER PROTECTION
| 10 cm extender |



In some cases it is appropriate to provide the patient with a higher level of protection. An easy-to-dismantle extension piece makes the siderail 10 cm higher. The extension piece should be used when an active mattress is in place on the bed.



Single collapsible siderail in a raised position.



Single collapsible siderail dropped down.

The siderail drops down level with the mattress. To unlock and drop a siderail you only need to grasp the handle with one hand and move the whole siderail towards the patient's head. In the second step you can press the unlocking button and smoothly lower the siderail to the drop-down position.



Technical parameters

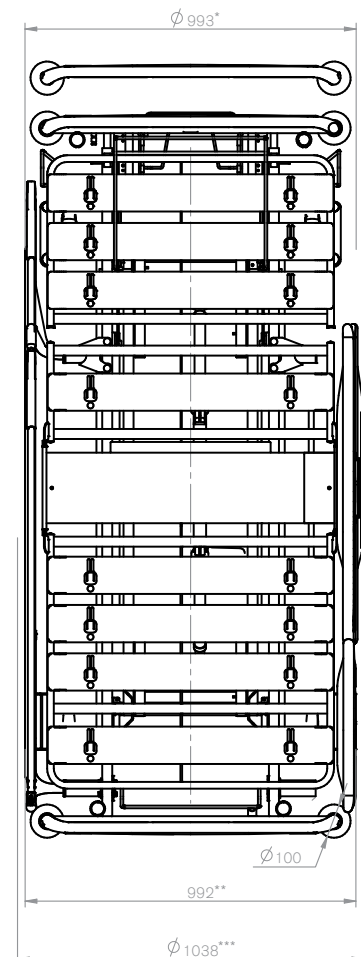
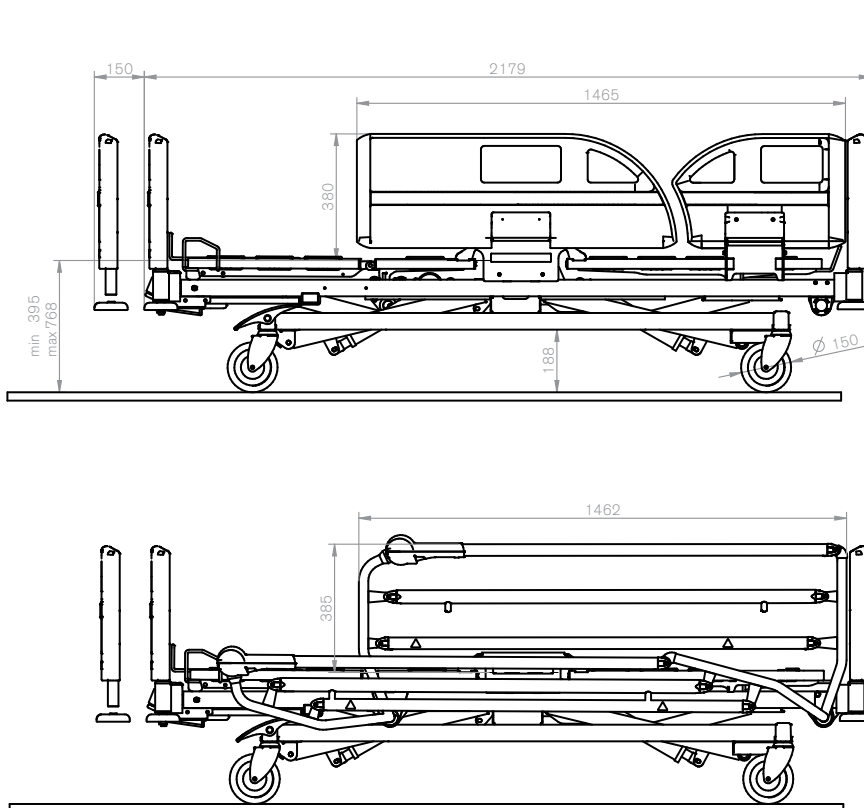
TECHNICAL PARAMETERS

The customer requirements were taken into account when constructing the beds with regards to minimum bed widths, therefore the bed width is now less than 100 cm. The bed will fit into lifts and into smaller rooms.

However, the loading area of 90cms on the mattress platform still provides maximum patient comfort. In this segment of universal beds, there is extra versatility and safe working loads up to 250 kgs.

| SAFE WORKING LOAD | | | |
|-------------------|---------------------|-----------------|--------------|
| Castors | | Battery | |
| Dimensions | Braking | without battery | with battery |
| 125mm | Individually braked | 185 kg | |
| | Centrally braked | 200 kg | 250 kg |
| 150 mm | Centrally braked | | |

| TECHNICAL PARAMETERS | Castors | |
|--------------------------------------|-------------------------------|--------------|
| | 125 mm | 150 mm |
| SWL safe working load | see table Safe Working Load | |
| External dimension | 99 × 218 cm | |
| Bed extension | 15 cm | |
| mattress platform | 4 section electric adjustable | |
| mattress platform | 90 × 200 × 14 | |
| Electric Height adjustment | 37–73.5 cm | 39.5–76.8 cm |
| Electric Backrest adjustment | 0–70° | |
| Electric Thighrest | 0–39° | |
| TR/ ATR | 15° – 15° | |
| Ergoframe® | 10+6 cm | |
| Bed weight (according specification) | 135 kg | |
| Standard | IEC:60601-2-52 | |
| Cover against water and dust | IP 54 | |
| Clearance for server | 16 cm | 18.8 cm |



- * for the bed with one-piece siderails
- ** for the bed with split plastic siderails in the raised position
- *** for the bed with split plastic siderails dropped down

Eleganza 1

many optional features

| | Feature / functions | Standard | Ordering Code | Photo on page |
|-------------------|--|----------|---------------|---------------|
| CONTROL UNITS | Central control panel (MINI) | ■ | – | 8 |
| | Trendelenburg function on central control panel | □ | NC04 | – |
| | Supervisor control panel with a flexible cable (+ Cardiac Chair) | □ | NC16 | 8 |
| | Hand set/ Hand set with illuminated keyboard | ■ / □ | –/ HC15 | 9 |
| | Foot control | □ | HC15 | 9 |
| | Satellite control unit with a flexible arm | □ | OC01 | 9 |
| | Plug and Play socket | □ | HC08 | 9 |
| BED ENDS | Design E1 (plastic bed end without colour effect) | ■ | BE21 | – |
| | Bed end locks (bespoke) | ■ | – | 5 |
| | Design E1 (plastic bed end with colour effect) | □ | BE21 + CDXX | 15 |
| | Design E3 (plastic bed end with larger colour effect) | □ | BE45 | 15 |
| | Powder coated with HPL panel | □ | BE46 | 15 |
| SIDERAILS | Split plastic siderails | □ | SR22 | 10 |
| | Split plastic siderails with integrated controls | □ | SR21 | 9 + 10 |
| | Single collapsible siderails | □ | SR11 | 11 |
| | Extender for single collapsible siderails Safe Plus Concept | □ | 11008900B0000 | 11 |
| OTHER | Linen shelf | □ | LS01 | 4 |
| | Accessories bar | □ | AH01 | 5 |
| | Battery back up | □ | AC01 | – |
| | 125 mm castors, individually braked (SWL 185 kg) | ■ | – | – |
| | 150 mm castors, centrally braked (SWL 185/250 kg) | □ | CA35 | 2 |
| | 5 th castor | □ | CA38 | 5 |
| | Bed exit alarm Safe Plus Concept | □ | AL03 | – |
| | Bed in RAL 9006 silver color | □ | CM02 | – |
| | Protector RAL 9002 Safe Plus Concept | □ | 1100590KBGTA | 7 |
| MATTRESS PLATFORM | 4-section mattress platform (8 removable plastic components) | ■ | – | 4 + 6 |
| | Ergoframe (10 + 6 cm) | ■ | – | 5 |
| | Extension of the mattress platform length (+ 15 cm) | □ | XT01 | 4 |
| | Mattress extension | □ | 4PRPRODMAT02 | – |
| | Mobilization handle (RAL 9002) | □ | 1028000B0000 | 5 |
| | Mattress 200×90×14 | □ | 4PRE7KA2000 | – |
| | Horizontal protective bumpers | ■ | | 4 |
| | Vertical protective bumpers | □ | BV01 | – |
| | 4× housings for trapeze bars and an infusion stand | ■ | – | 4 |

■ Standard □ Option

Design

will exceed your expectations



ELEGANZA

Eleganza 1 bed with single collapsible siderails and bed ends design E3 + Bedside cabinets Eleganza Classic.



CHOICE OF COLOURS

The practical, modest and very attractive design of the Eleganza 1 bed together with a wide range of colour effects creates a pleasant and up-to-date hospital environment. The design with wooden components is preferred across a number of markets. The Eleganza 1 bed is also available in a wide range of wood effects which would be well suited to any interior.



Oslo blue



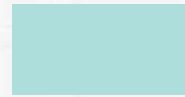
Nectarine



Kiwi



Grapefruit



Aquamarine



Maple White



Pearl white



Dolphin grey



White maple



Natural beech



Fruitier ambre

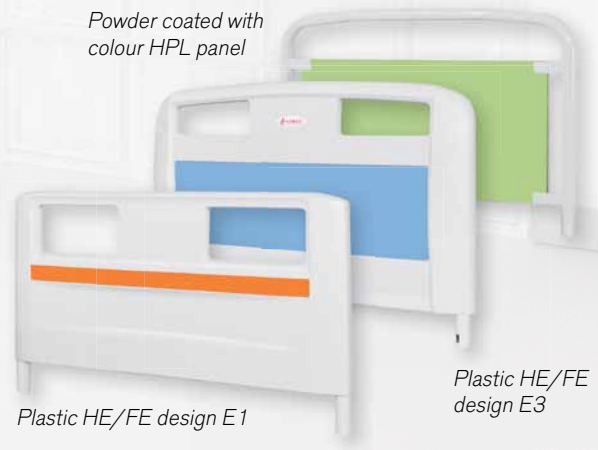


Zebra mocca

BED END VARIABILITY

The typical plastic E1 bed ends with the decorative colour line can be substituted for the design of the E3 bed end. With a large decorative area and robust construction, it gives the impression that the E1 is as good as a higher specification bed.

*Powder coated with
colour HPL panel*



Plastic HE/FE design E1

*Plastic HE/FE
design E3*

Eleganza 1

more than you expected



LINET spol. s r.o.
Želečice 5, 274 01 Slaný, Czech Republic
tel.: +420 312 576 111, fax: +420 312 522 668, e-mail: info@linet.com, www.linet.com